

ECE634 Independent Study: Microgrid Operation Data Processing & Analysis

We are looking for highly motivated senior undergrad and graduate students with different software skills to work on analyzing the data from microgrids setup by companies such as Duke Energy and NCEMC. Tasks include:

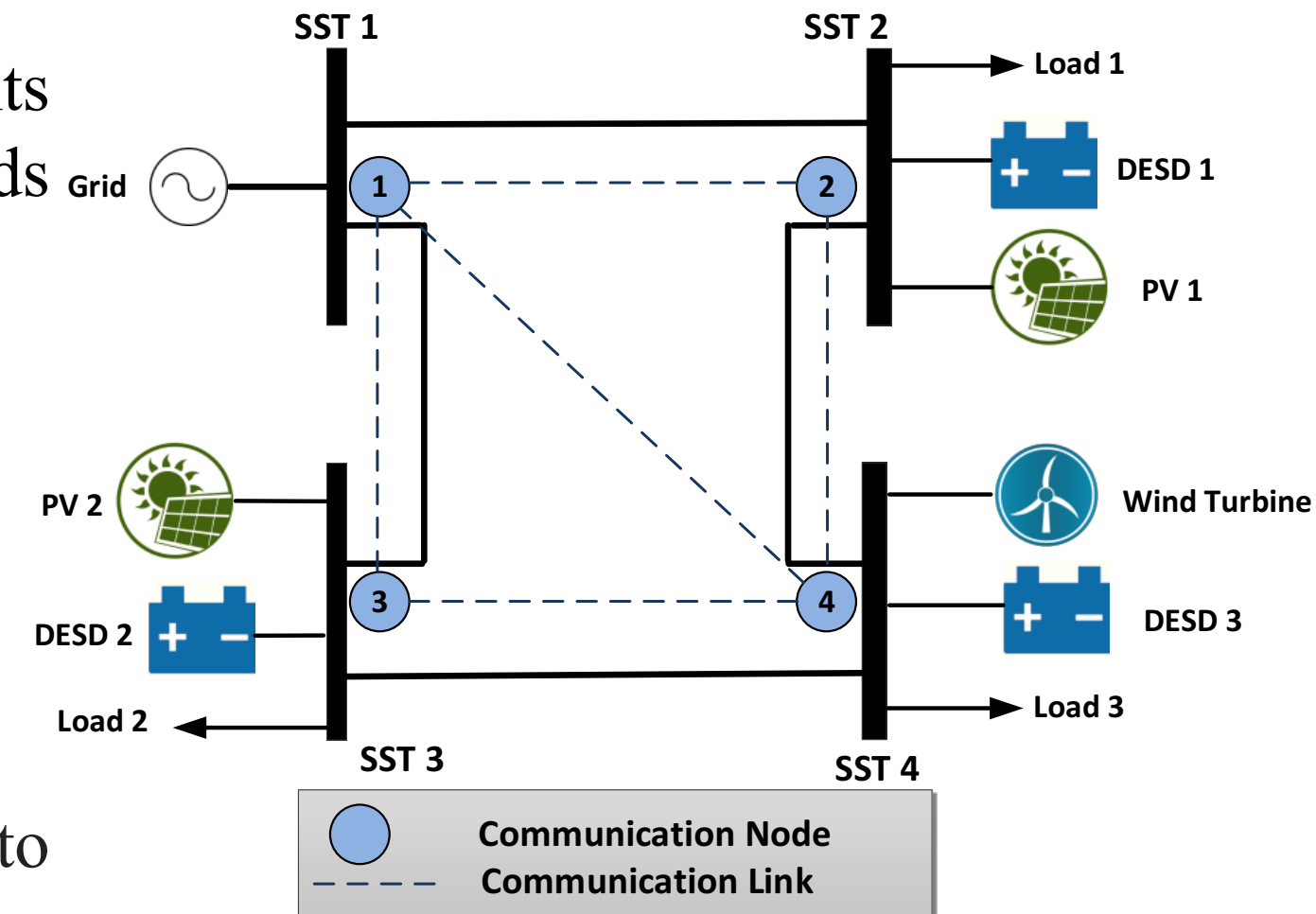
- processing operation data
- analyzing operating profiles, energy storage utilization
- presenting operating profiles, facility utilization, etc.

Interested students with two or more of the following skills are encouraged to apply:

- **MATLAB/Simulink**

If interested, please fill in the survey form: http://go.ncsu.edu/adac_microgrid

Apply by **August 25th, 2018**



Director: Mo-Yuen Chow, PhD, ADAC Lab, Dept. of ECE, <http://www.adac.ncsu.edu/>