

# ECE634 Independent Study: Renewable Energy Management in Microgrid Simulator Hardware (REM $\mu$ S-H) Development

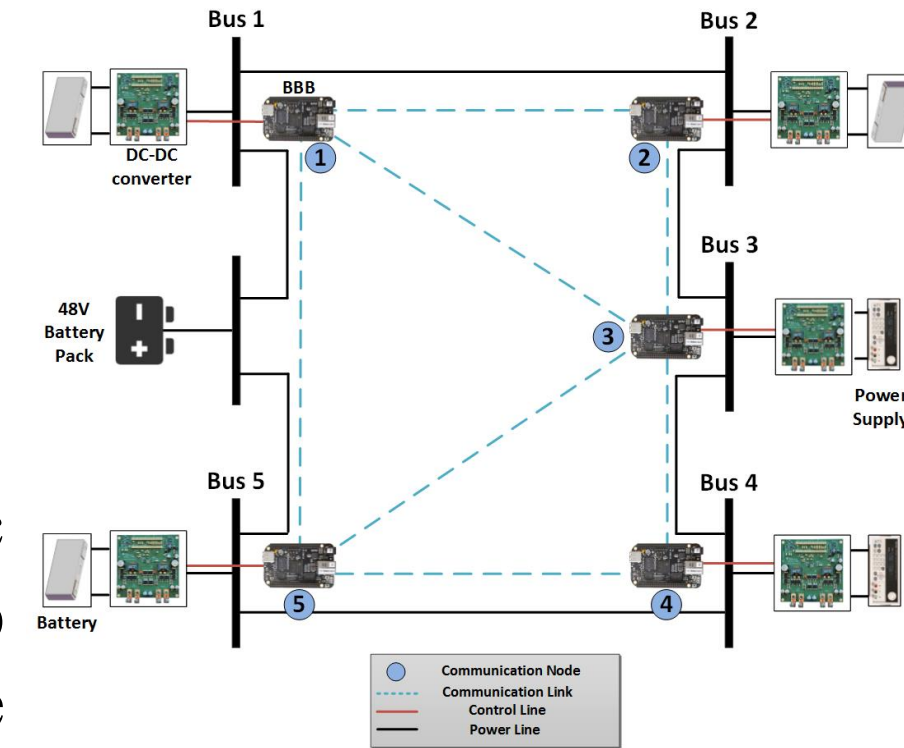
We are looking for highly motivated senior undergrad and graduate students with a basic power background and skills in software programming. The goal of this project is to setup the hardware layer of a renewable energy management in microgrid simulator. The components you are going to use in the project include: DC/DC converter, BeagleBone Black development platform, lithium-ion battery, and etc.

Interested students with two or more of the following skills are encouraged to apply:

- **Basic understanding of power electronics.**
- **Software/Programming Skills e.g. C, embedded C++**
- **Embedded Linux**

If interested, please fill in the survey form: <http://go.ncsu.edu/pdrlke>

Application will be closed on August 25<sup>th</sup>, 2018



Director: Mo-Yuen Chow, PhD, ADAC Lab, Dept. of ECE, <http://www.adac.ncsu.edu/>